



CONTROLLED

RHINO-RACK

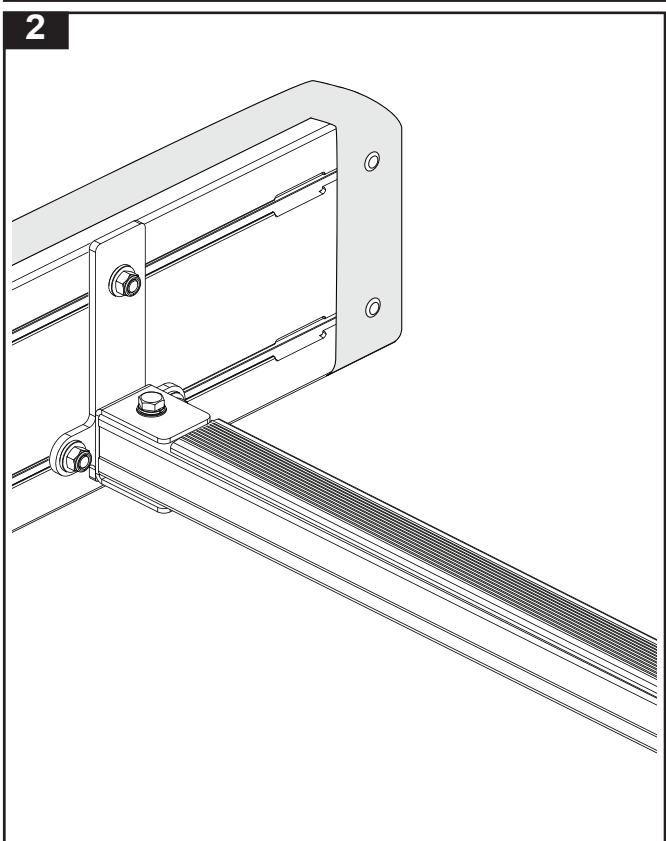
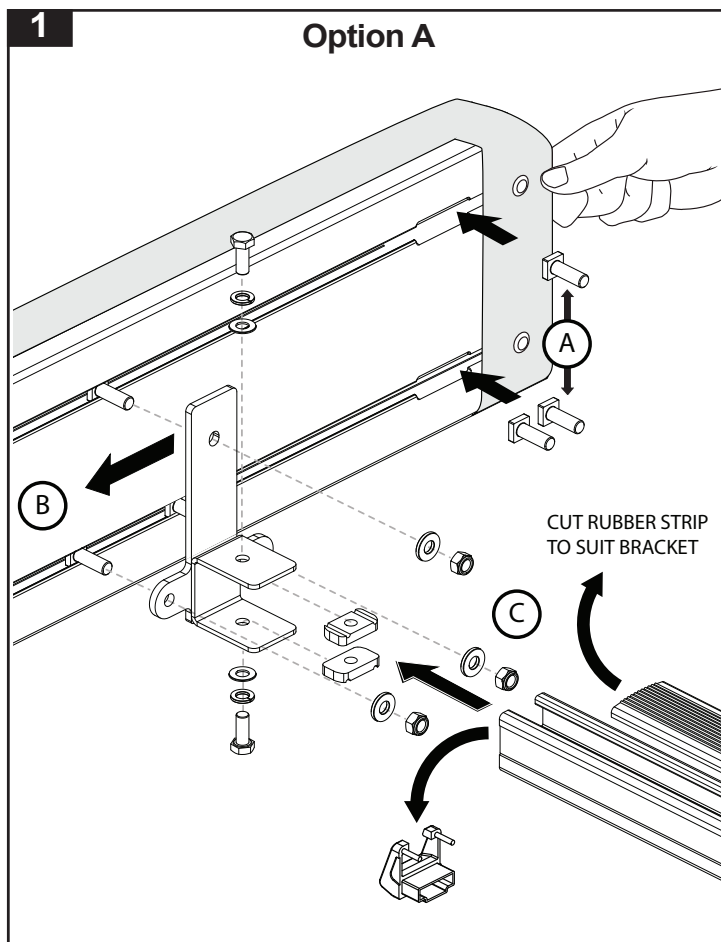
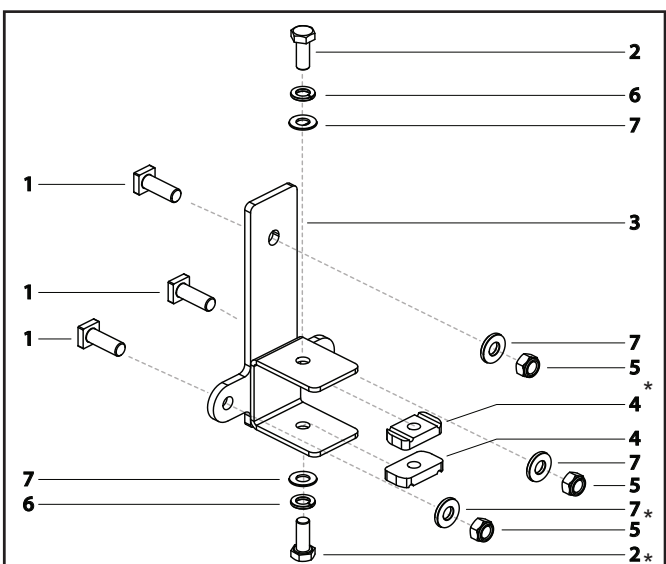
Rhino Heavy Duty Fit Kit (31102)

- 1. Check Part No./Kit is correct
- 2. Read through instruction before installing
- 3. Fit roof rack accessory
- 4. Check and recheck all fasteners are secure

This kit is to be used in conjunction with the fitting kit supplied with your Rhino-Rack BATWING Awning

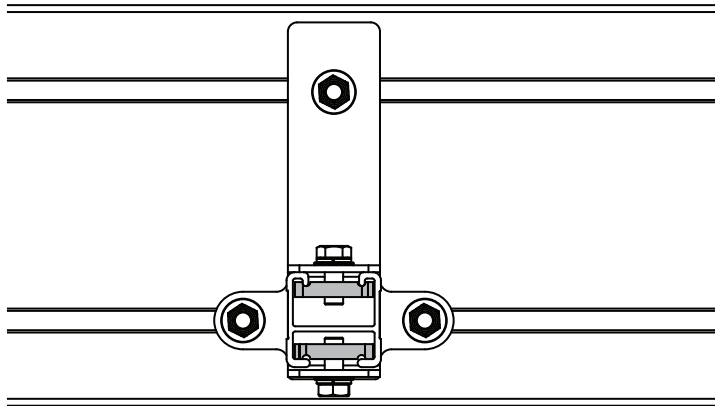
Parts List

Item	Component Name	Qty	Part No.
1	M8 x 20 T-Bolt (additional 4 supplied in awning kit)	2	B096
2	M8 x 22 Hex Screw	4	B076
3	HD Bracket	2	C714
4	M8 Channel Nut	4	N003
5*	M8 Nyloc Nut (supplied in awning kit)	6	N028
6	M8 Spring Washer (additional 2 supplied in awning kit)	2	W019
7	M8 x 17 Flat Washer (additional 6 supplied in awning kit)	4	W020
8	Fitting Instructions	1	RR212



Rhino Heavy Duty Fit Kit (31102)

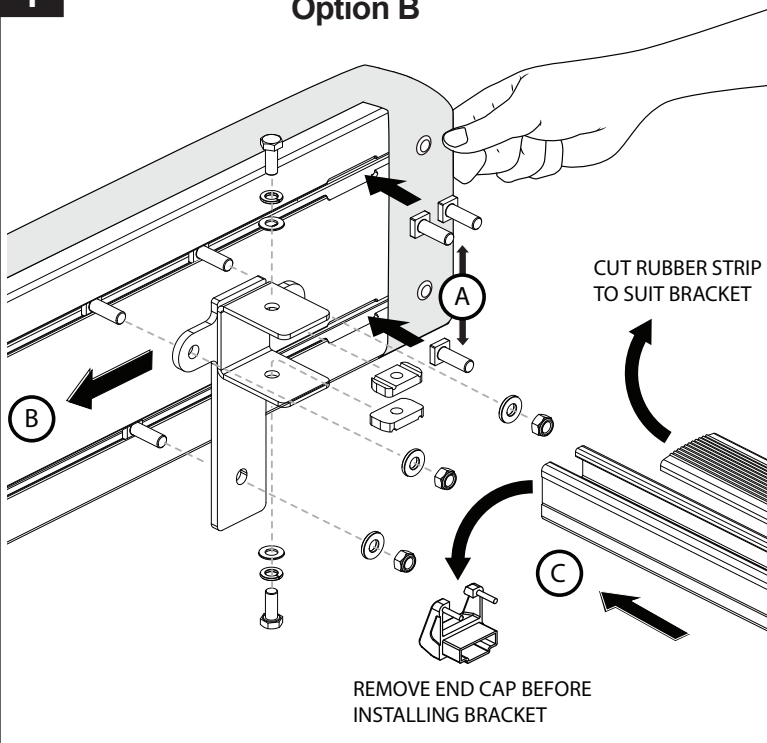
3



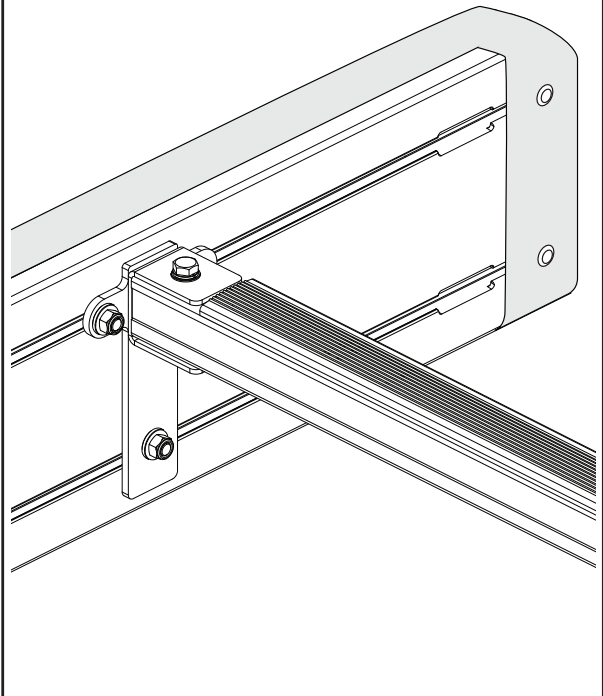
Channel nuts must sit across the bar when tightened

1

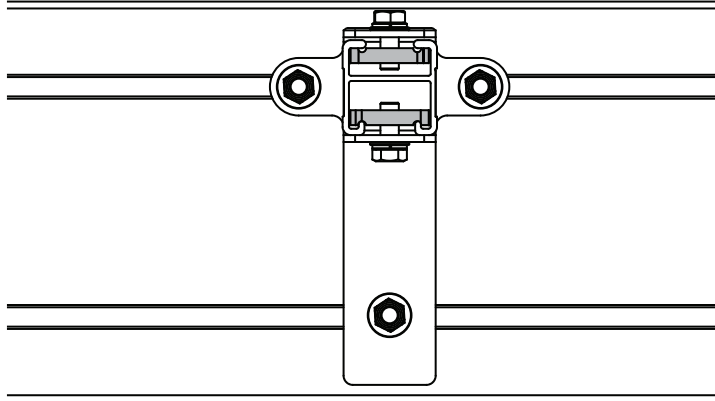
Option B



2



3



Channel nuts must sit across the bar when tightened

Note for Dealers and Fitters:

It is your responsibility to ensure these fitting instructions are given to the end user or client

Rhino-Rack, 22 Hanson Pl, Eastern Creek
NSW 2766, Australia
(02) 8846 1900
rhinorack.com.au

Document No: RR212
Prepared By: K.Everett
Authorised By: N.Clarke

Issue No: 03
Issue Date: 08/01/2019

These instructions remain the property of Rhino-Rack Australia Pty. Ltd. and may not be used or changed for any other purpose than intended.